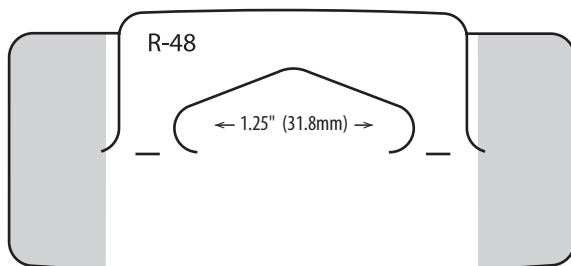
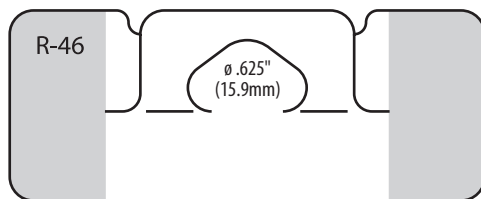
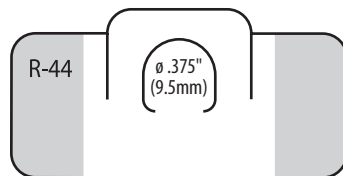
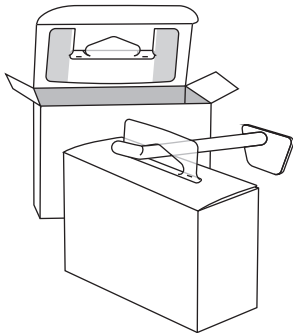


Interior & Hang

DURABLE HANGING DISPLAY

Interior & Box Top Hang Tabs



R-44

	Imperial	Metric
Gauge:	5 mil	127 μ
Dimensions (W x H):	1.75 x .875in	44.5 x 22.2mm
Format:	6.5M / roll	
Package:	3 x 12in roll	7.6 x 30.5cm
Master Carton Quantity:	39M (6 rolls)	
Master Carton Weight:	30lb	13.6kg
Recommended Product Display Weight:	6oz	170g

R-46

	Imperial	Metric
Gauge:	15 mil	381 μ
Dimensions (W x H):	2.5 x 1in	63.5 x 25.2mm
Format:	5M / roll	
Package:	6 x 15.5in roll	15.2 x 39.4cm
Master Carton Quantity:	15M (3 rolls)	
Master Carton Weight:	46lb	20.9kg
Recommended Product Display Weight:	9oz	255g

R-48

	Imperial	Metric
Gauge:	15 mil	381 μ
Dimensions (W x H):	2.938 x 1.375in	74.8 x 34.9mm
Format:	4M / roll	
Package:	6 x 15.5in roll	15.2 x 39.4cm
Master Carton Quantity:	8M (2 rolls)	
Master Carton Weight:	31lb	14.1kg
Recommended Product Display Weight:	11oz	311g

M = 1,000

Box Top Tabs

USED INSIDE OR ON TOP OF BOX

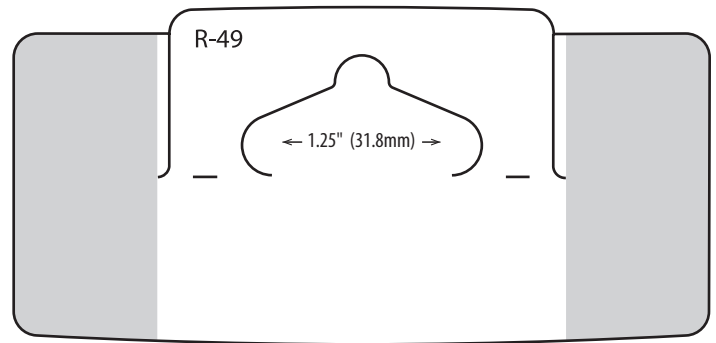
Doubles hang performance when used inside the box.



Interior & Box Top Hang Tabs

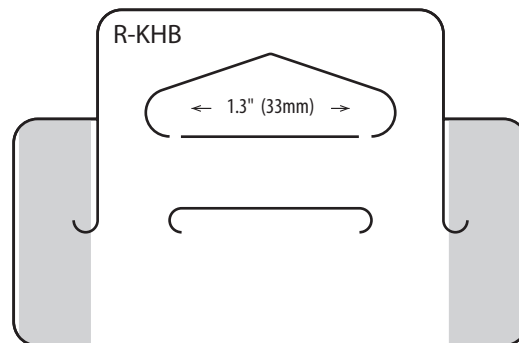
R-49

	Imperial	Metric
Gauge:	15 mil	381 μ
Dimensions (W x H):	3.625 x 1.757in	92.1 x 44.6mm
Format:	3M / roll	
Package:	6 x 15.5in roll	15.2 x 39.4cm
Master Carton Quantity:	6M (2 rolls)	
Master Carton Weight:	36lb	16.4kg
Recommended Product Display Weight:	14oz	397g



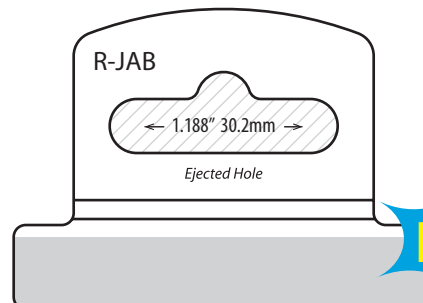
R-KHB

	Imperial	Metric
Gauge:	20 mil	508 μ
Dimensions (W x H):	2.677 x 1.75in	68 x 44.5mm
Format:	2.5M / roll	
Package:	6 x 15.5in roll	15.2 x 39.4cm
Master Carton Quantity:	7.5M (3 rolls)	
Master Carton Weight:	41lb	18.6kg
Recommended Product Display Weight:	12oz	340g



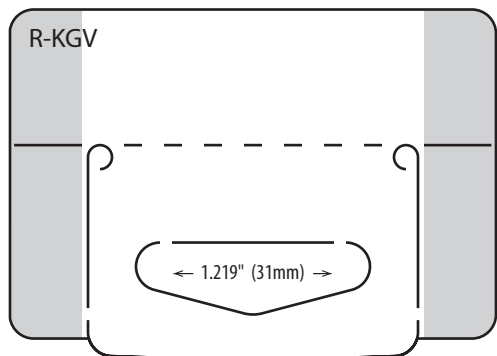
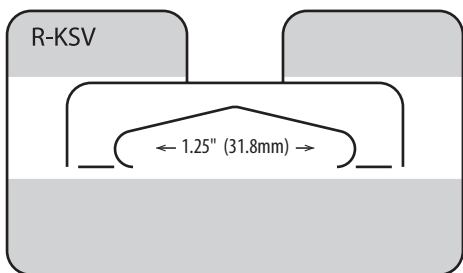
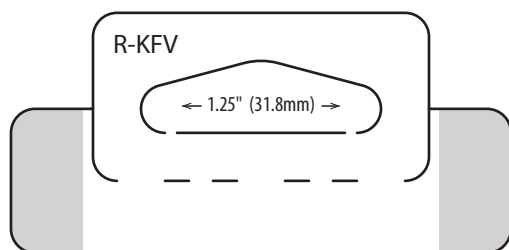
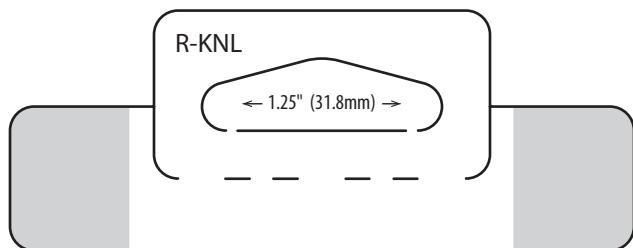
R-JAB

	Imperial	Metric
Gauge:	20 mil	508 μ
Dimensions (W x H):	2.188 x 1.563in	55.6 x 39.7mm
Format:	2M / roll	
Package:	6 x 15.5in roll	15.2 x 39.4cm
Master Carton Quantity:	10M (5 rolls)	
Master Carton Weight:	34lb	15.5kg
Recommended Product Display Weight:	12oz	340g



NEW

M = 1,000



R-JAG

	Imperial	Metric
Gauge:	20 mil	508 μ
Dimensions (W x H):	2.187 x 1.375in	56 x 35mm
Format:	2M / roll	
Package:	6 x 15.5in roll	15.2 x 39.4cm
Master Carton Quantity:	8M (4 rolls)	
Master Carton Weight:	24lb	10.9kg
Recommended Product Display Weight:	12oz	340g

R-KNL

	Imperial	Metric
Gauge:	10 mil	254 μ
Dimensions (W x H):	3.25 x 1.25in	82.6 x 31.8mm
Format:	5M / roll	
Package:	6 x 15.5in roll	15.2 x 39.4cm
Master Carton Quantity:	10M (2 rolls)	
Master Carton Weight:	26lb	11.8kg
Recommended Product Display Weight:	9oz	255g

R-KFV

	Imperial	Metric
Gauge:	10 mil	254 μ
Dimensions (W x H):	2.604 x 1.25in	66.2 x 31.8mm
Format:	5.5M / roll	
Package:	6 x 15.5in roll	15.2 x 39.4cm
Master Carton Quantity:	16.5M (3 rolls)	
Master Carton Weight:	35lb	15.9kg
Recommended Product Display Weight:	6oz	170g

R-KSV

	Imperial	Metric
Gauge:	15 mil	381 μ
Dimensions (W x H):	2.375 x 1.375in	60.3 x 34.9mm
Format:	2M / roll	
Package:	6 x 15.5in roll	15.2 x 39.4cm
Master Carton Quantity:	10M (5 rolls)	
Master Carton Weight:	34lb	15.5kg
Recommended Product Display Weight:	11oz	311g

R-KGV

	Imperial	Metric
Gauge:	15 mil	381 μ
Dimensions (W x H):	2.531 x 1.819in	64.3 x 46.2mm
Format:	2.5M / roll	
Package:	6 x 15.5in roll	15.2 x 39.4cm
Master Carton Quantity:	7.5M (3 rolls)	
Master Carton Weight:	34lb	15.4kg
Recommended Product Display Weight:	12oz	340g

M = 1,000

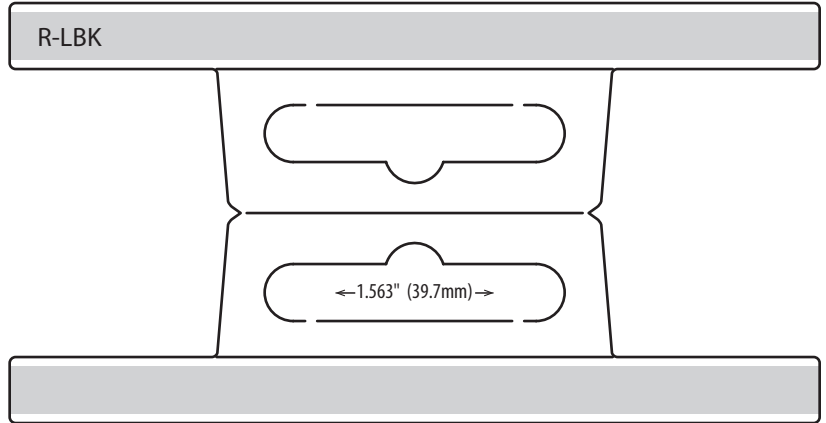


Interior & Box Top Hang Tabs

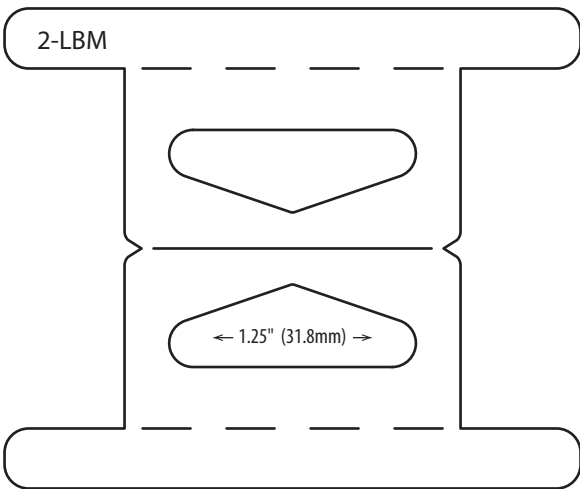
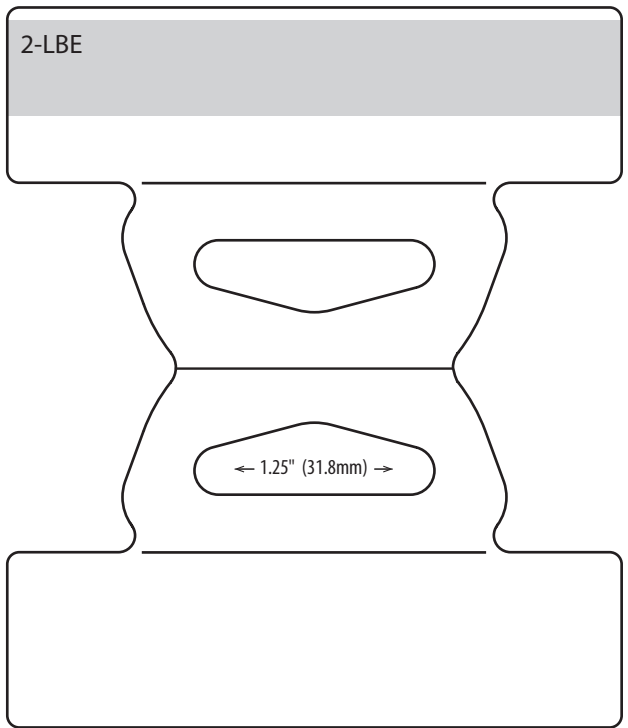
R-LBK

	Imperial	Metric
Gauge:	10 mil	254 μ
Dimensions (W x H):	4.219 x 2.188in	107.2 x 55.6mm
Format:	1.5M / roll	
Package:	6 x 15.5in roll	15.2 x 39.4cm
Master Carton Quantity:	4.5M (3 rolls)	
Master Carton Weight:	30lb	13.6kg
Recommended Product Display Weight:	14oz	397g

M = 1,000



Interior & Box Top Hang Tabs



2-LBM

	Imperial	Metric
Gauge:	10 mil	254 μ
Dimensions (W x H):	3 x 2.5in	76.2 x 63.5mm
Format:	loose piece	
Package:	10M carton	
Master Carton Quantity:	10M (1 carton)	
Master Carton Weight:	26lb	11.8kg
Recommended Product Display Weight:	7oz	178g

M = 1,000

2-LBE

	Imperial	Metric
Gauge:	15 mil	381 μ
Dimensions (W x H):	3.2 x 3.75in	81.3 x 95.3mm
Format:	loose piece	
Package:	5M carton	
Master Carton Quantity:	5M (1 carton)	
Master Carton Weight:	36lb	16.4kg
Recommended Product Display Weight:	14oz	397g

M = 1,000