

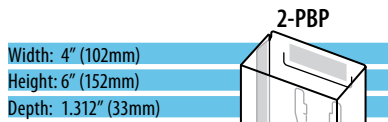
# Literature Holders



EASY TO USE, QUICK TO LOAD  
PLACE INFORMATION WHERE YOUR CUSTOMER NEEDS IT

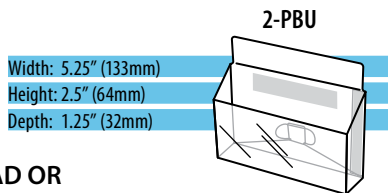
## LITERATURE HOLDERS

Literature Holders from Do-It let you promote product information, gift cards, or coupons right next to your product display. Easy to use and quick to load these literature holders put your information right where your customers need it.



### 3-WAY BROCHURE BOX

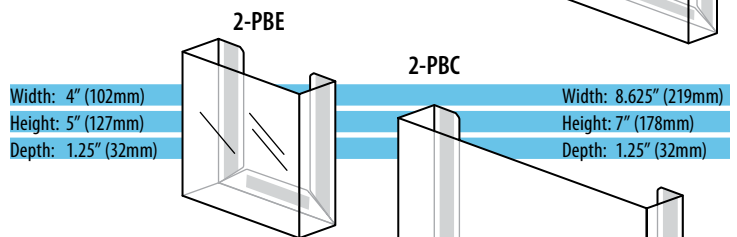
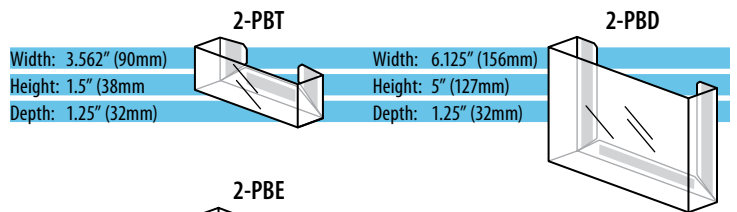
- Can be mounted three ways:
  1. Adhesive Strip
  2. 1.25" Shelf Channel
  3. Butterfly wings for warehouse racks
- Clear 20 mil plastic
- Ships flat and folds into a sturdy display



### COUPON PAD OR GIFT CARD HOLDER

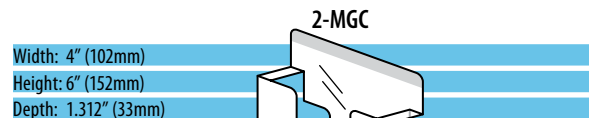
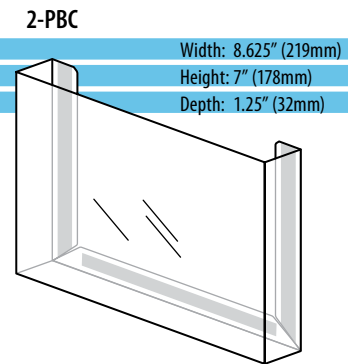
- Can be mounted with an Adhesive Strip
- Clear 15 mil plastic
- Ships flat and folds into a sturdy display

## LITERATURE POCKETS



### LITERATURE POCKETS

- Adhesive on three sides for use on display panels and other flat surfaces.
- Clear 15 mil plastic
- Ships flat with score lines for easy folding/forming



### ECONOMY OPTION LITERATURE POCKET

- 30% less cost
- 30% less material
- Ships flat with score lines for easy folding/forming