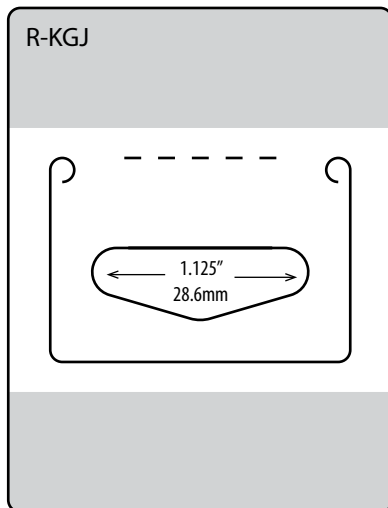
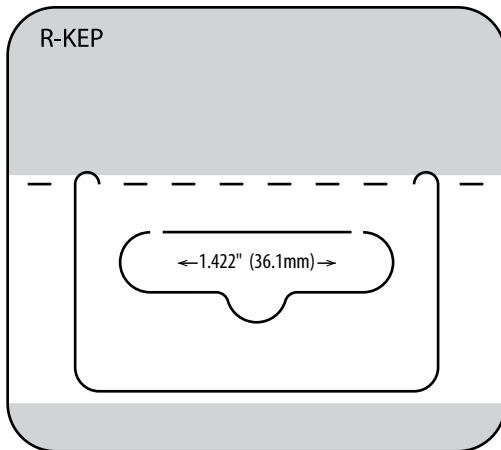


Security Hang Tabs

HANGS AND SEALS PACKAGE
FOLD DOWN FOR SHIPPING
FOLD UP FOR HANGING

Security Hang Tabs



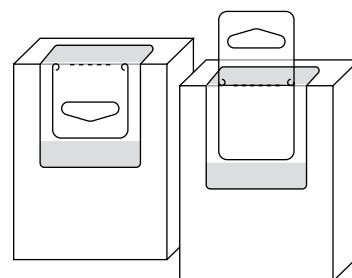
R-KEP

	Imperial	Metric
Gauge:	20 mil	508 μ
Dimensions (W x H):	2.594 x 2.313in	65.9 x 58.7mm
Format:	1.5M / roll	
Package:	6 x 15.5in roll	15.2 x 39.4cm
Master Carton Quantity:	3M (2 rolls)	
Master Carton Weight:	25lb	11.4kg
Recommended Product Display Weight:	20oz	567g

R-KGJ

	Imperial	Metric
Gauge:	10 mil	254 μ
Dimensions (W x H):	2 x 2.625in	50.9 x 66.7mm
Format:	4M / roll	
Package:	6 x 15.5in roll	15.2 x 39.4cm
Master Carton Quantity:	12M (3 rolls)	
Master Carton Weight:	46lb	20.9kg
Recommended Product Display Weight:	12oz	340g

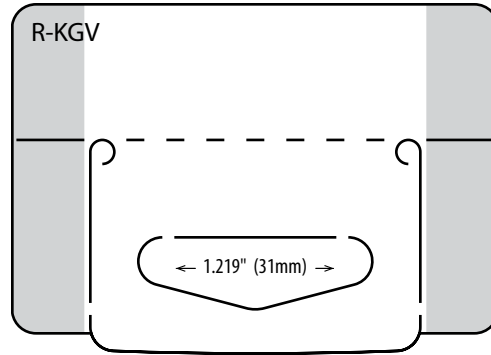
M = 1,000





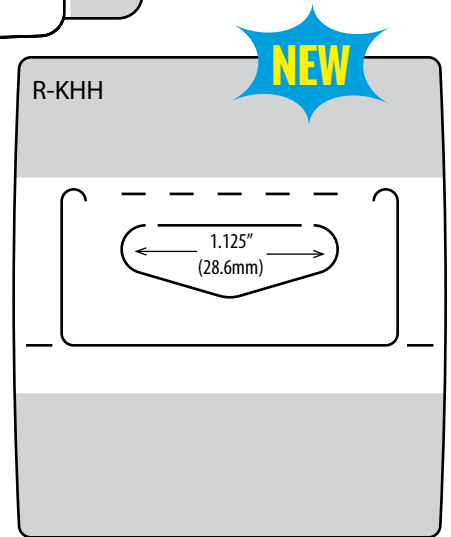
R-KGV

	Imperial	Metric
Gauge:	15 mil	381 μ
Dimensions (W x H):	2.531 x 1.819in	64.3 x 46.2mm
Format:	2.5M / roll	
Package:	6 x 15.5in roll	15.2 x 39.4cm
Master Carton Quantity:	7.5M (3 rolls)	
Master Carton Weight:	34lb	15.4kg
Recommended Product Display Weight:	12oz	340g



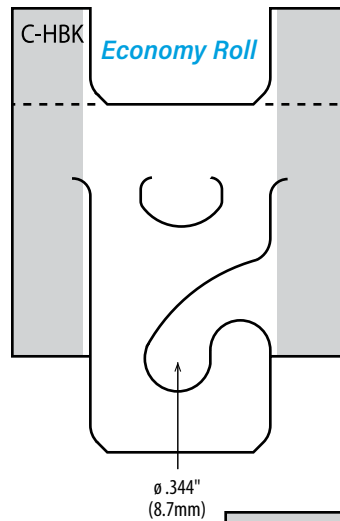
R-KHH

	Imperial	Metric
Gauge:	20 mil	508 μ
Dimensions (W x H):	2.25 x 2.5in	57.2 x 63.5mm
Format:	2M / roll	
Package:	6 x 15.5in roll	15.2 x 39.4cm
Master Carton Quantity:	6M (3 rolls)	
Master Carton Weight:	45lb	20.4kg
Recommended Product Display Weight:	16oz	454g



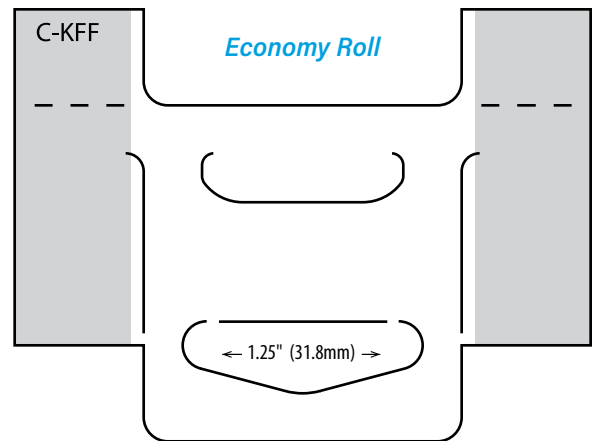
C-HBK

	Imperial	Metric
Gauge:	20 mil	508 μ
Dimensions (W x H):	1.75 x 2.313in	44.5 x 58.8mm
Format:	7.5M / economy roll	
Package:	6 x 15.5in roll	15.2 x 39.4cm
Master Carton Quantity:	7.5M (1 roll)	
Master Carton Weight:	30lb	13.6kg
Recommended Product Display Weight:	11oz	311g



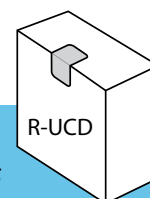
C-KFF

	Imperial	Metric
Gauge:	15 mil	381 μ
Dimensions (W x H):	3 x 2.25in	76.2 x 57.2mm
Format:	10M / economy roll	
Package:	6 x 15.5in roll	15.2 x 39.4cm
Master Carton Quantity:	10M	
Master Carton Weight:	50lb	22.8kg
Recommended Product Display Weight:	20oz	567g



R-UCD

	Imperial	Metric
Gauge:	10 mil*	254 μ *
Dimensions (W x H):	0.688 x 1.625in	17.5 x 41.3mm
Format:	9.5M / roll	
Package:	6 x 15.5in roll	15.2 x 39.4cm
Master Carton Quantity:	38M (4 rolls)	
Master Carton Weight:	43lb	19.5kg
	*Available in different thicknesses	



More Durable
Than Wafer Seals

Additional
Styles pg. 43

M = 1,000