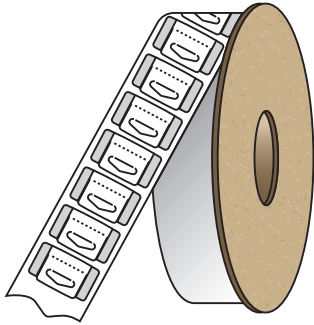
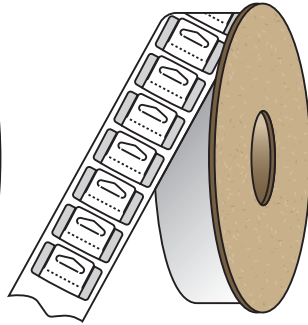


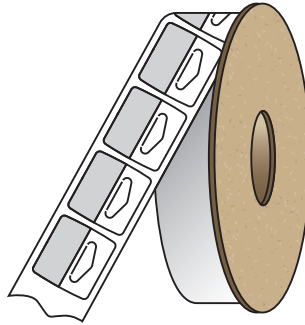
**A Form**



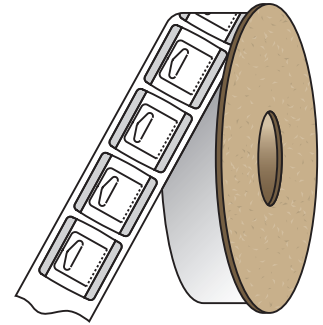
**B Form**



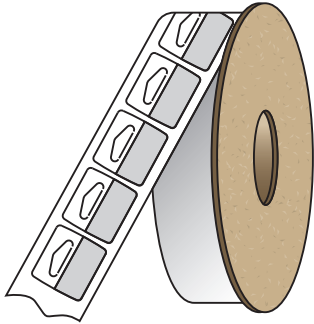
**C Form**



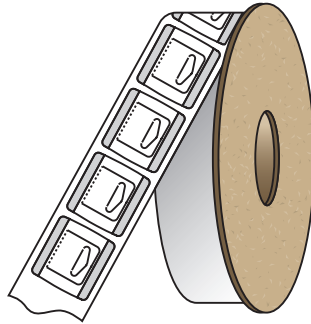
**C Form  
Boxtop Fold-Up**



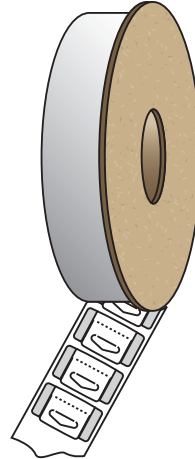
**D Form**



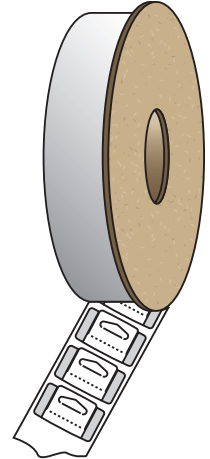
**D Form  
Boxtop Fold-Up**



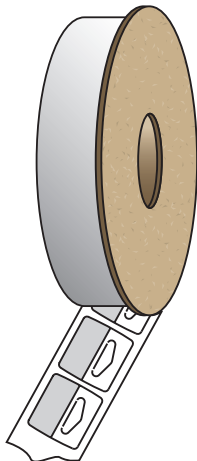
**E Form**



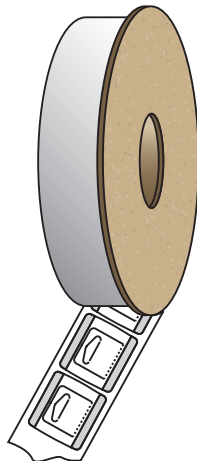
**F Form**



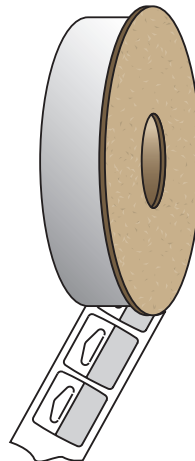
**G Form**



**G Form  
Boxtop Fold-Up**



**H Form**



**H Form  
Boxtop Fold-Up**

