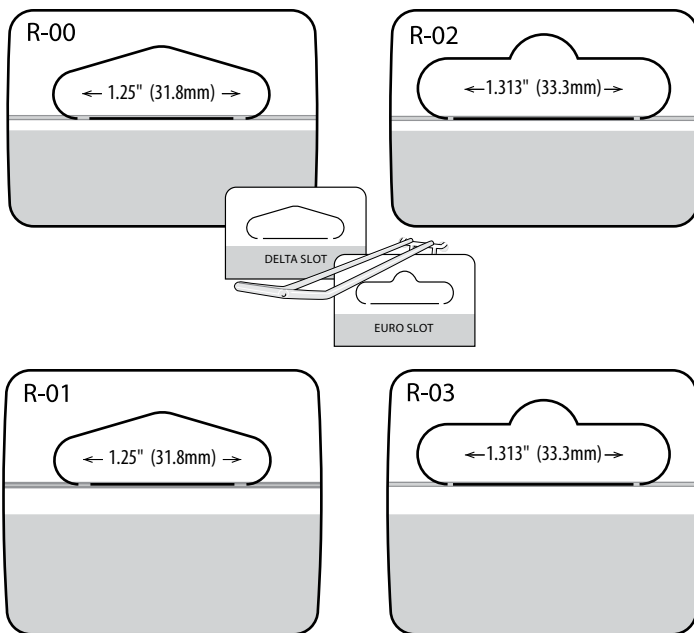


Slot

Slot Hang Tabs



R-00 / R-02

	Imperial	Metric
Gauge:	10 mil	254 μ
Dimensions (W x H):	1.625 x 1.125in	41.3 x 28.6mm
Format:	4.5M / roll	
Package:	6 x 15.5in roll	15.2 x 39.4cm
Master Carton Quantity:	22.5M (5 rolls)	
Master Carton Weight:	32lb	14.5kg
Recommended Product Display Weight:	9oz	255g

R-01 / R-03

	Imperial	Metric
Gauge:	15 mil	381 μ
Dimensions (W x H):	1.625 x 1.375in	41.3 x 34.9mm
Format:	3.5M / roll	
Package:	6 x 15.5in roll	15.2 x 39.4cm
Master Carton Quantity:	17.5M (5 rolls)	
Master Carton Weight:	41lb	18.6kg
Recommended Product Display Weight:	16oz	453g

M = 1,000

Hang Tabs

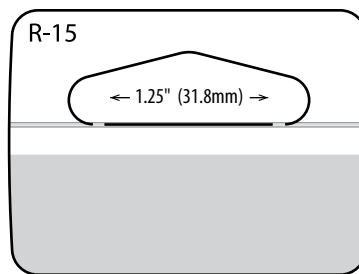
BOOST YOUR SALES
 INCREASE IMPULSE PURCHASES
 MAXIMIZE MERCHANDISING OPPORTUNITIES



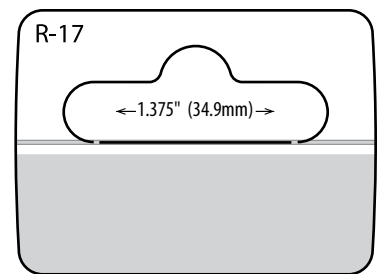
Slot Hang Tabs

R-15 / R-17

	Imperial	Metric
Gauge:	15 mil	381 μ
Dimensions (W x H):	1.875 x 1.375in	47.6 x 34.9mm
Format:	3M / roll	
Package:	6 x 15.5in roll	15.2 x 39.4cm
Master Carton Quantity:	15M (5 rolls)	
Master Carton Weight:	40lb	18.2kg
Recommended Product Display Weight:	18oz	510g



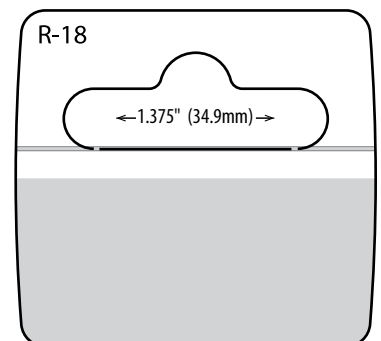
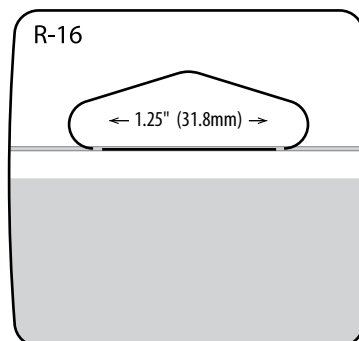
Ejected hole version available. See pg. 37.



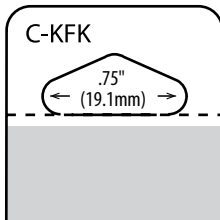
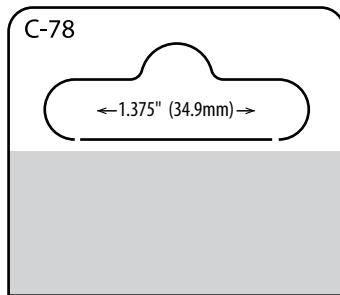
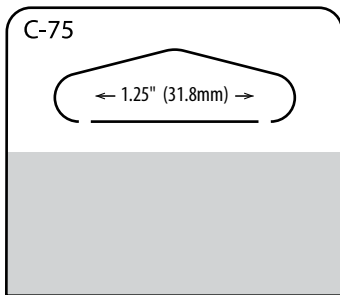
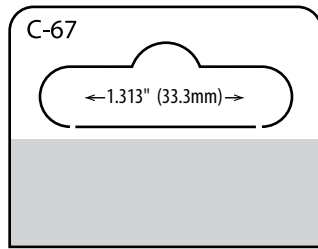
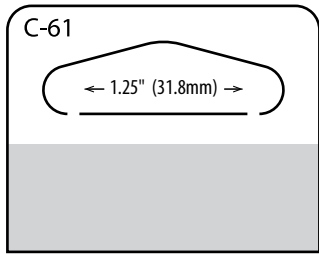
Ejected hole version available. See pg. 37.

R-16 / R-18

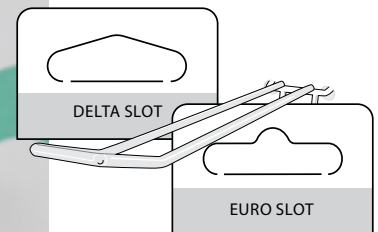
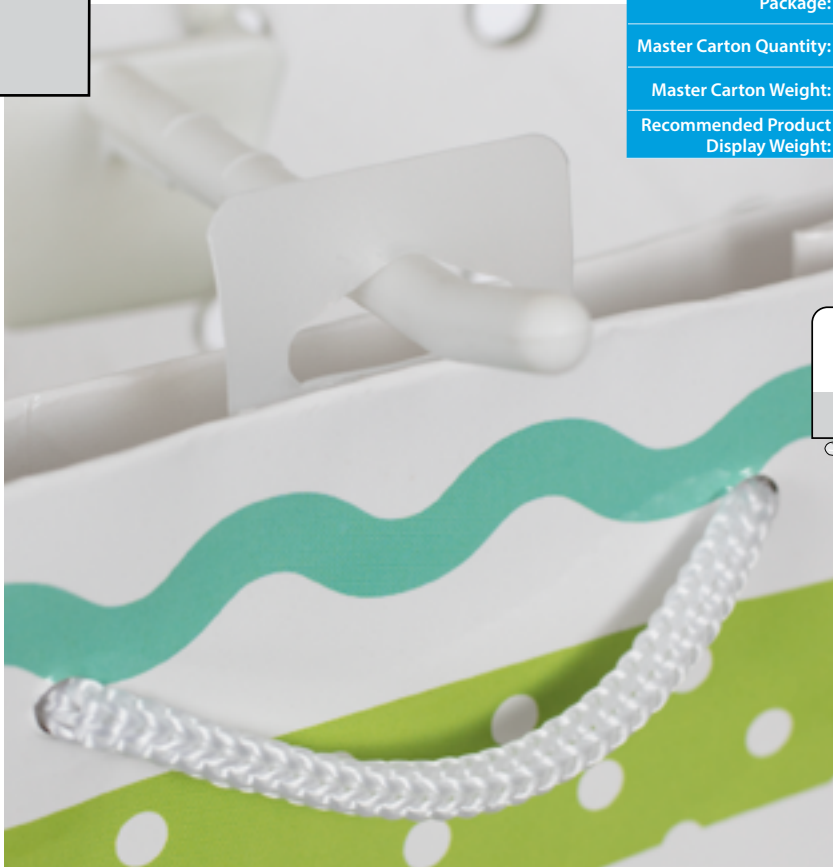
	Imperial	Metric
Gauge:	15 mil	381 μ
Dimensions (W x H):	1.875 x 1.75in	47.6 x 44.5mm
Format:	3M / roll	
Package:	6 x 15.5in roll	15.2 x 39.4cm
Master Carton Quantity:	12M (4 rolls)	
Master Carton Weight:	40lb	18.2kg
Recommended Product Display Weight:	20oz	567g



M = 1,000



Economy Roll



C-61 / C-67

	Imperial	Metric
Gauge:	15 mil	381 μ
Dimensions (W x H):	1.625 x 1.25in	41.3 x 31.8mm
Format:	20 / sheet	
Package:	5M box	
Master Carton Quantity:	20M (4 boxes)	
Master Carton Weight:	42lb	19.1kg
Recommended Product Display Weight:	14oz	397g

C-75 / C-78

	Imperial	Metric
Gauge:	15 mil	381 μ
Dimensions (W x H):	1.75 x 1.5in	44.5 x 38.1mm
Format:	24 / sheet	
Package:	5M box	
Master Carton Quantity:	20M (4 boxes)	
Master Carton Weight:	50lb	22.7kg
Recommended Product Display Weight:	18oz	510g

C-KFK

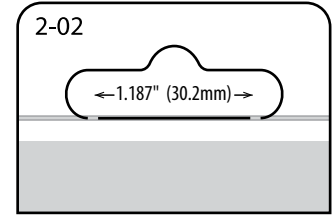
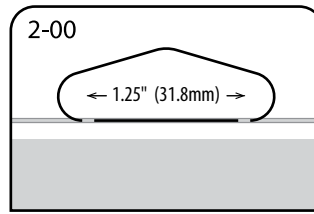
	Imperial	Metric
Gauge:	10 mil	254 μ
Dimensions (W x H):	1.125 x 1.125in	28.6 x 28.6mm
Format:	13.5M / economy roll	
Package:	6 x 15.5in roll	15.2 x 39.4cm
Master Carton Quantity:	40.5M (3 rolls)	
Master Carton Weight:	38lb	17.3kg
Recommended Product Display Weight:	8oz	227g

M = 1,000



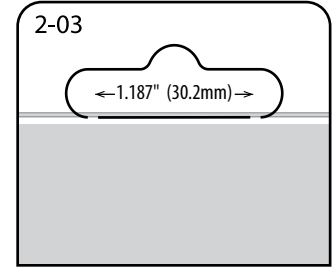
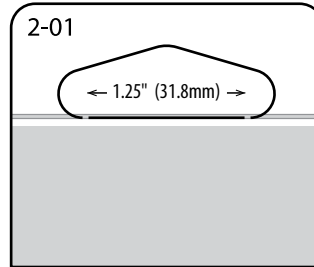
2-00 / 2-02

	Imperial	Metric
Gauge:	15 mil	381 μ
Dimensions (W x H):	1.625 x 1.063in	41.3 x 27mm
Format:	loose piece	
Package:	5M carton	
Master Carton Quantity:	5M (1 carton)	
Master Carton Weight:	9lb	4.1kg
Recommended Product Display Weight:	10oz	283g



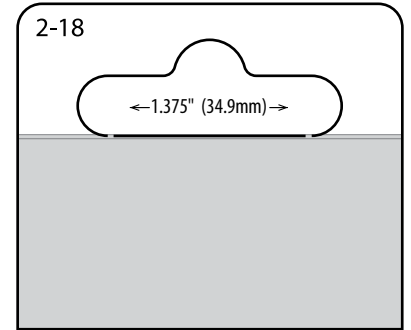
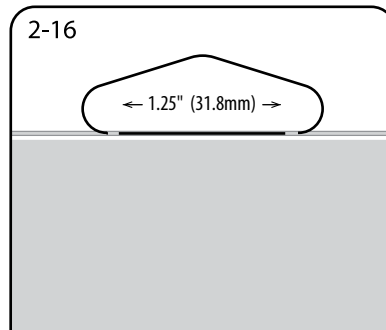
2-01 / 2-03

	Imperial	Metric
Gauge:	15 mil	381 μ
Dimensions (W x H):	1.625 x 1.375in	41.3 x 34.9mm
Format:	loose piece	
Package:	5M carton	
Master Carton Quantity:	5M (1 carton)	
Master Carton Weight:	12lb	5.5kg
Recommended Product Display Weight:	16oz	453g



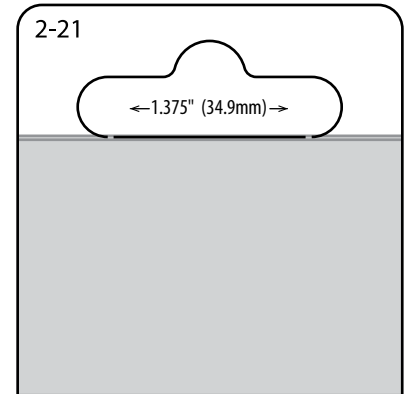
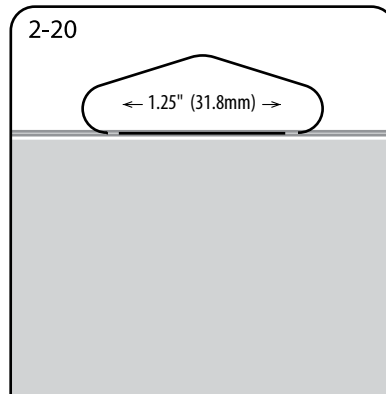
2-16 / 2-18

	Imperial	Metric
Gauge:	15 mil	381 μ
Dimensions (W x H):	2 x 1.75in	50.8 x 44.5mm
Format:	loose piece	
Package:	5M carton	
Master Carton Quantity:	5M (1 carton)	
Master Carton Weight:	17lb	7.7kg
Recommended Product Display Weight:	20oz	567g



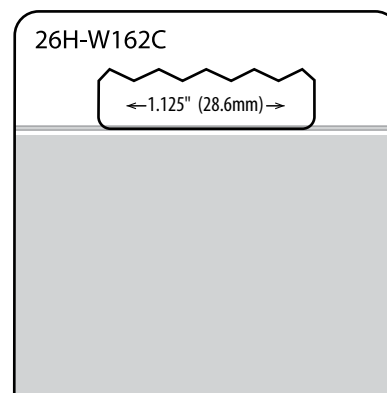
2-20 / 2-21

	Imperial	Metric
Gauge:	20 mil	508 μ
Dimensions (W x H):	2 x 2.031in	50.8 x 51.6mm
Format:	loose piece	
Package:	5M carton	
Master Carton Quantity:	5M (1 carton)	
Master Carton Weight:	26lb	11.8kg
Recommended Product Display Weight:	28oz	794g



26H-W162C

	Imperial	Metric
Gauge:	20 mil	508 μ
Dimensions (W x H):	2 x 2.031in	50.8 x 51.6mm
Format:	loose piece	
Package:	5M carton	
Master Carton Quantity:	5M (1 carton)	
Master Carton Weight:	21lb	9.5kg
Recommended Product Display Weight:	24oz	679g

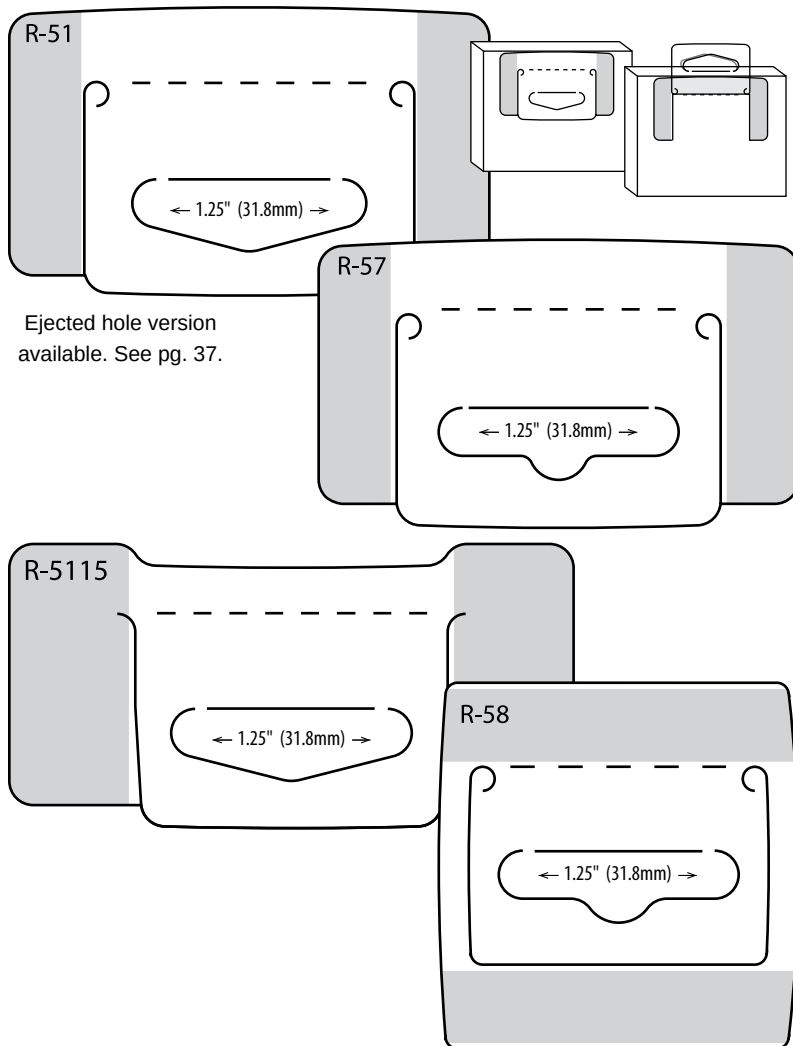


M = 1,000

Slot



Slot Fold-Up Hang Tabs



Ejected hole version available. See pg. 37.

R-51 / R-57

	Imperial	Metric
Gauge:	10 mil	254 μ
Dimensions (W x H):	2.5 x 1.5in	64.3 x 38.1mm
Format:	4.5M / roll	
Package:	6 x 15.5in roll	15.2 x 39.4cm
Master Carton Quantity:	13.5M (3 rolls)	
Master Carton Weight:	37lb	16.8kg
Recommended Product Display Weight:	10oz	283g

R-5115

	Imperial	Metric
Gauge:	15 mil	381 μ
Dimensions (W x H):	2.938 x 1.5in	74.6 x 38.1mm
Format:	3.5M / roll	
Package:	6 x 15.5in roll	15.2 x 39.4cm
Master Carton Quantity:	7M (2 rolls)	
Master Carton Weight:	29lb	13.2kg
Recommended Product Display Weight:	18oz	509g

R-58

	Imperial	Metric
Gauge:	10 mil	254 μ
Dimensions (W x H):	1.875 x 1.906in	47.6 x 48.4mm
Format:	3.5M / roll	
Package:	6 x 15.5in roll	15.2 x 39.4cm
Master Carton Quantity:	14M (4 rolls)	
Master Carton Weight:	36lb	16.4kg
Recommended Product Display Weight:	9oz	255g

M = 1,000

Fold-Up Hang Tabs

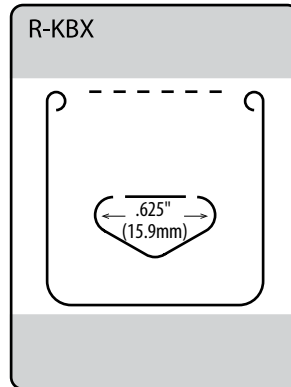
LIE FLAT FOR SHIPPING
FOLD UP FOR HANGING



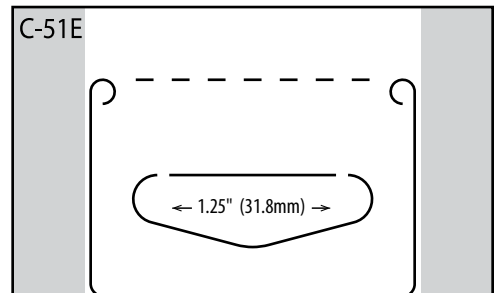
Slot Fold-Up Hang Tabs

R-KBX

	Imperial	Metric
Gauge:	7.5 mil	190 μ
Dimensions (W x H):	1.5 x 2in	38.1 x 50.8mm
Format:	6M / roll	
Package:	6 x 15.5in roll	15.2 x 39.4cm
Master Carton Quantity:	18M (3 rolls)	
Master Carton Weight:	34lb	15.5kg
Recommended Product Display Weight:	9oz	255g

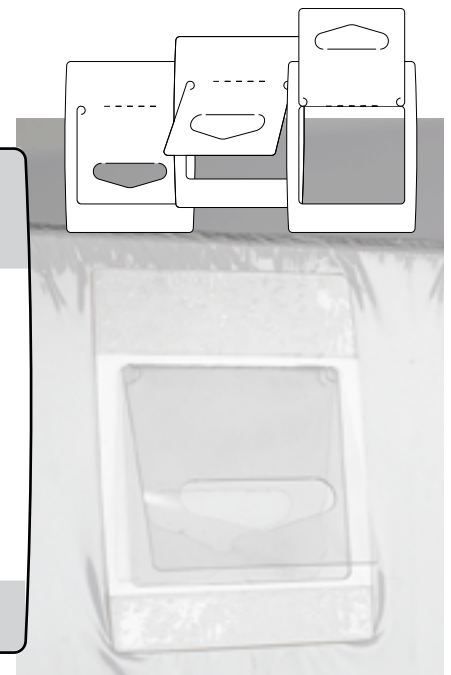
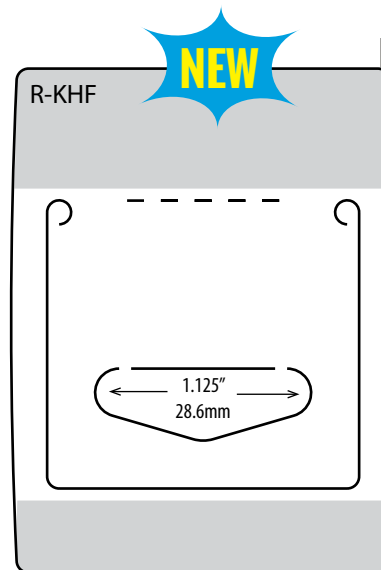


Economy Roll



C-51E

	Imperial	Metric
Gauge:	10 mil	254 μ
Dimensions (W x H):	2.5 x 1.5in	63.5 x 38.1mm
Format:	15M / economy roll	
Package:	6 x 15.5in roll	15.2 x 39.4cm
Master Carton Quantity:	15M (1 roll)	
Master Carton Weight:	40lb	18.4kg
Recommended Product Display Weight:	10oz	283g



R-KHF

	Imperial	Metric
Gauge:	10 mil	254 μ
Dimensions (W x H):	2 x 2.625in	50.8 x 66.7mm
Format:	3.5M / roll	
Package:	6 x 15.5in roll	15.2 x 39.4cm
Master Carton Quantity:	10.5M (3 roll)	
Master Carton Weight:	42lb	19.1kg
Recommended Product Display Weight:	13oz	368g

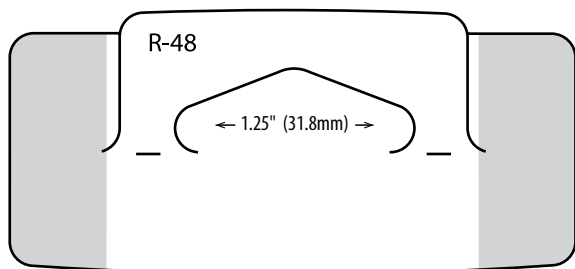
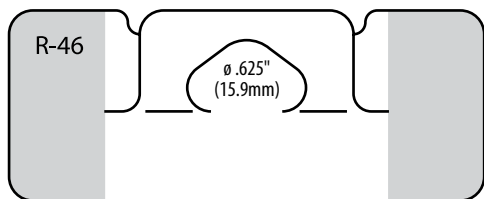
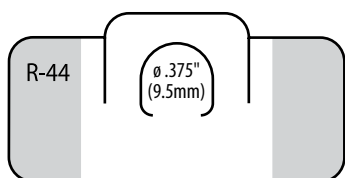
M = 1,000



Interior & Hang

DURABLE HANGING DISPLAY

Interior & Center-Hang Hang Tabs



R-44

	Imperial	Metric
Gauge:	5 mil	127 μ
Dimensions (W x H):	1.75 x 0.875in	44.5 x 22.2mm
Format:	6.5M / roll	
Package:	3 x 12in roll	7.6 x 30.5cm
Master Carton Quantity:	39M (6 rolls)	
Master Carton Weight:	33lb	15kg
Recommended Product Display Weight:	6oz	170g

R-46

	Imperial	Metric
Gauge:	15 mil	381 μ
Dimensions (W x H):	2.5 x 0.938in	63.5 x 23.8mm
Format:	5M / roll	
Package:	6 x 15.5in roll	15.2 x 39.4cm
Master Carton Quantity:	15M (3 rolls)	
Master Carton Weight:	46lb	20.9kg
Recommended Product Display Weight:	9oz	255g

R-48

	Imperial	Metric
Gauge:	15 mil	381 μ
Dimensions (W x H):	2.938 x 1.375in	74.9 x 34.9mm
Format:	4M / roll	
Package:	6 x 15.5in roll	15.2 x 39.4cm
Master Carton Quantity:	8M (2 rolls)	
Master Carton Weight:	31lb	14.1kg
Recommended Product Display Weight:	11oz	311g

M = 1,000

Center-Hang Tabs

USED INSIDE OR ON TOP OF BOX

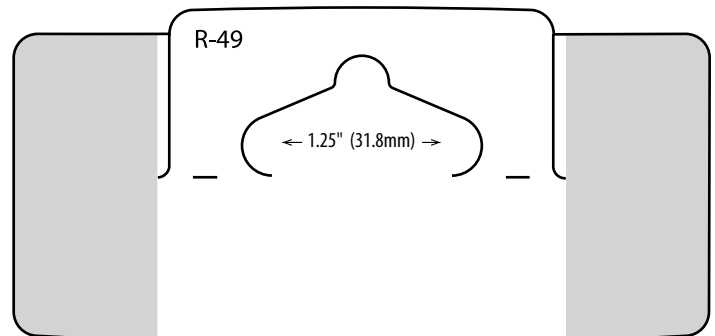
Doubles hang performance when used inside the box.



Interior & Center-Hang Hang Tabs

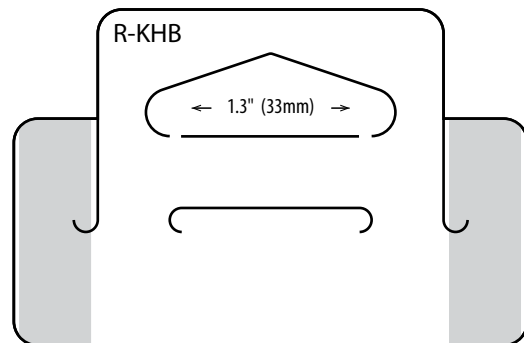
R-49

	Imperial	Metric
Gauge:	15 mil	381 μ
Dimensions (W x H):	3.625 x 1.75in	92.1 x 44.5mm
Format:	3M / roll	
Package:	6 x 15.5in roll	15.2 x 39.4cm
Master Carton Quantity:	6M (2 rolls)	
Master Carton Weight:	36lb	16.4kg
Recommended Product Display Weight:	14oz	397g

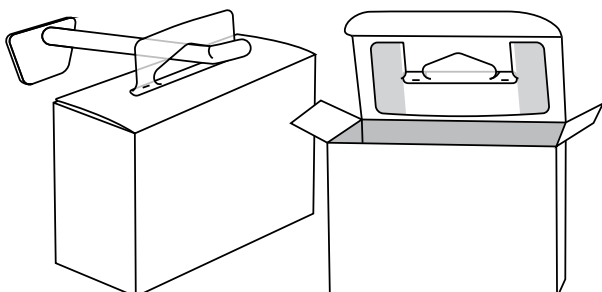


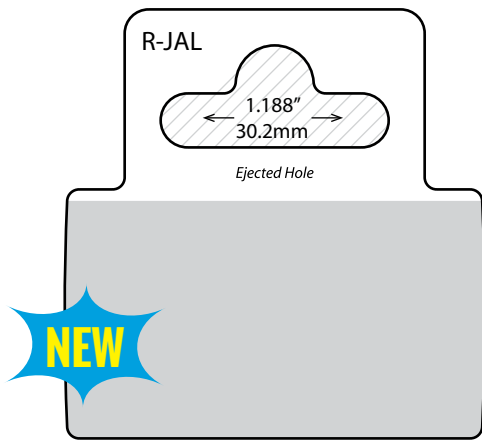
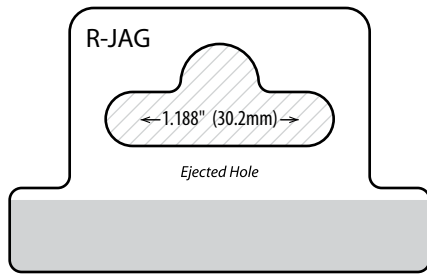
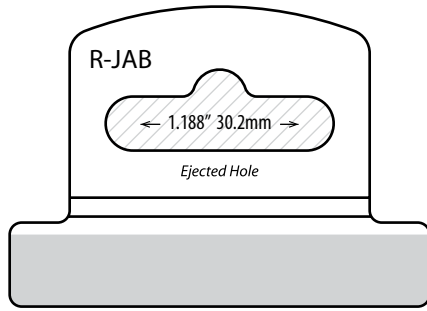
R-KHB

	Imperial	Metric
Gauge:	20 mil	508 μ
Dimensions (W x H):	2.677 x 1.75in	68 x 44.5mm
Format:	2.5M / roll	
Package:	6 x 15.5in roll	15.2 x 39.4cm
Master Carton Quantity:	7.5M (3 rolls)	
Master Carton Weight:	41lb	18.6kg
Recommended Product Display Weight:	12oz	340g



M = 1,000





NEW

R-JAB

	Imperial	Metric
Gauge:	20 mil	508 μ
Dimensions (W x H):	2.188 x 1.563in	55.6 x 39.7mm
Format:	2M / roll	
Package:	6 x 15.5in roll	15.2 x 39.4cm
Master Carton Quantity:	10M (5 rolls)	
Master Carton Weight:	34lb	15.5kg
Recommended Product Display Weight:	12oz	340g

R-JAG

	Imperial	Metric
Gauge:	20 mil	508 μ
Dimensions (W x H):	2.188 x 1.375in	55.6 x 35mm
Format:	2M / roll	
Package:	6 x 15.5in roll	15.2 x 39.4cm
Master Carton Quantity:	8M (4 rolls)	
Master Carton Weight:	24lb	10.9kg
Recommended Product Display Weight:	12oz	340g

R-JAL

	Imperial	Metric
Gauge:	20 mil	508 μ
Dimensions (W x H):	2.188 x 2.234in	55.6 x 56.7mm
Format:	2M / roll	
Package:	6 x 15.5in roll	15.2 x 39.4cm
Master Carton Quantity:	6M (3 rolls)	
Master Carton Weight:	34lb	15.5kg
Recommended Product Display Weight:	16oz	440g

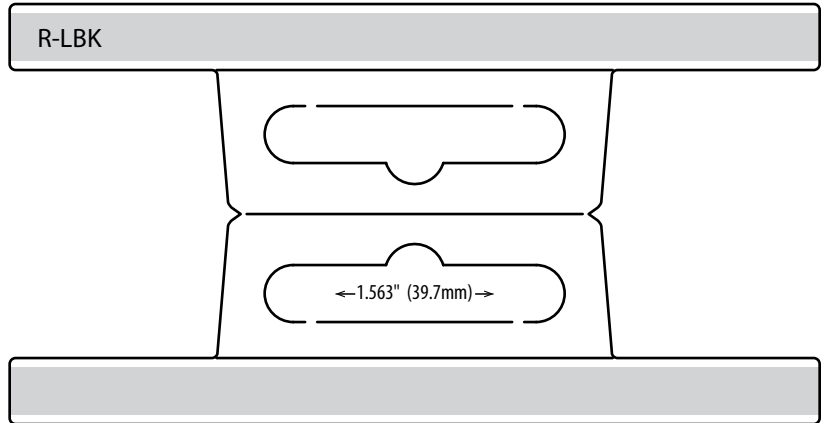




R-LBK

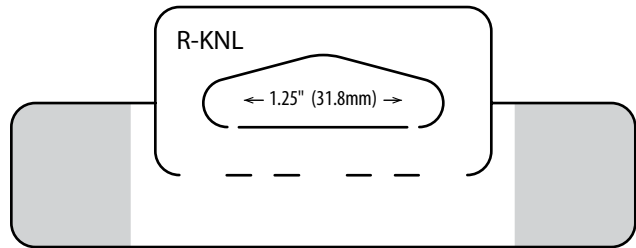
	Imperial	Metric
Gauge:	10 mil	254 μ
Dimensions (W x H):	4.219 x 2.188in	107.2 x 55.6mm
Format:	1.5M / roll	
Package:	6 x 15.5in roll	15.2 x 39.4cm
Master Carton Quantity:	4.5M (3 rolls)	
Master Carton Weight:	30lb	13.6kg
Recommended Product Display Weight:	14oz	397g

M = 1,000



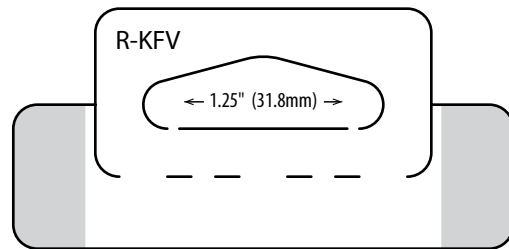
R-KNL

	Imperial	Metric
Gauge:	10 mil	254 μ
Dimensions (W x H):	3.25 x 1.25in	82.6 x 31.8mm
Format:	5M / roll	
Package:	6 x 15.5in roll	15.2 x 39.4cm
Master Carton Quantity:	10M (2 rolls)	
Master Carton Weight:	26lb	11.8kg
Recommended Product Display Weight:	9oz	255g



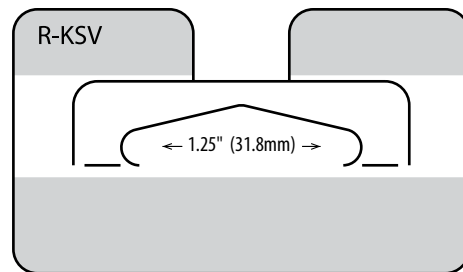
R-KFV

	Imperial	Metric
Gauge:	10 mil	254 μ
Dimensions (W x H):	2.604 x 1.25in	66.2 x 31.8mm
Format:	5.5M / roll	
Package:	6 x 15.5in roll	15.2 x 39.4cm
Master Carton Quantity:	16.5M (3 rolls)	
Master Carton Weight:	35lb	15.9kg
Recommended Product Display Weight:	6oz	170g



R-KSV

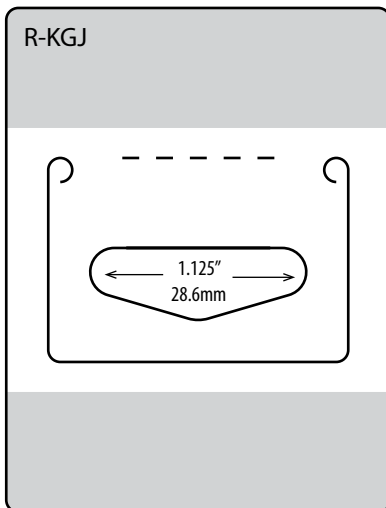
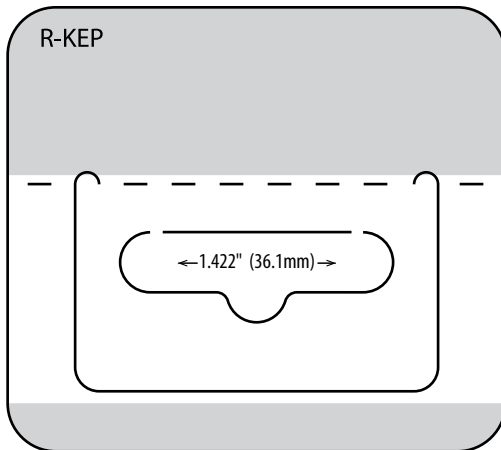
	Imperial	Metric
Gauge:	15 mil	381 μ
Dimensions (W x H):	2.375 x 1.375in	60.3 x 34.9mm
Format:	2M / roll	
Package:	6 x 15.5in roll	15.2 x 39.4cm
Master Carton Quantity:	10M (5 rolls)	
Master Carton Weight:	34lb	15.5kg
Recommended Product Display Weight:	11oz	312g



Security Hang Tabs

HANGS AND SEALS PACKAGE
FOLD DOWN FOR SHIPPING
FOLD UP FOR HANGING

Security Hang Tabs



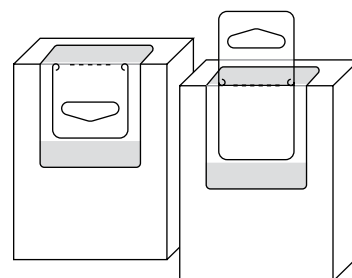
R-KEP

	Imperial	Metric
Gauge:	20 mil	508 μ
Dimensions (W x H):	2.594 x 2.313in	65.9 x 58.7mm
Format:	1.5M / roll	
Package:	6 x 15.5in roll	15.2 x 39.4cm
Master Carton Quantity:	3M (2 rolls)	
Master Carton Weight:	25lb	11.4kg
Recommended Product Display Weight:	20oz	567g

R-KGJ

	Imperial	Metric
Gauge:	10 mil	254 μ
Dimensions (W x H):	2 x 2.625in	50.9 x 66.7mm
Format:	4M / roll	
Package:	6 x 15.5in roll	15.2 x 39.4cm
Master Carton Quantity:	12M (3 rolls)	
Master Carton Weight:	46lb	20.9kg
Recommended Product Display Weight:	12oz	340g

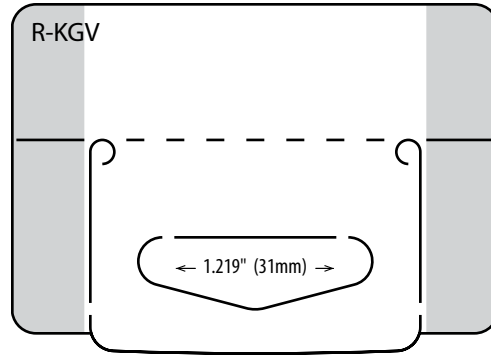
M = 1,000





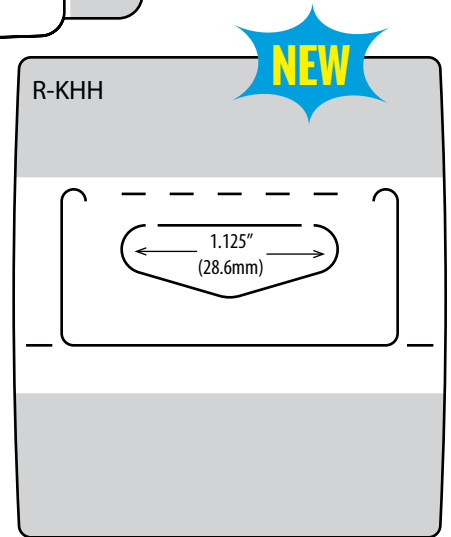
R-KGV

	Imperial	Metric
Gauge:	15 mil	381 μ
Dimensions (W x H):	2.531 x 1.819in	64.3 x 46.2mm
Format:	2.5M / roll	
Package:	6 x 15.5in roll	15.2 x 39.4cm
Master Carton Quantity:	7.5M (3 rolls)	
Master Carton Weight:	34lb	15.4kg
Recommended Product Display Weight:	12oz	340g



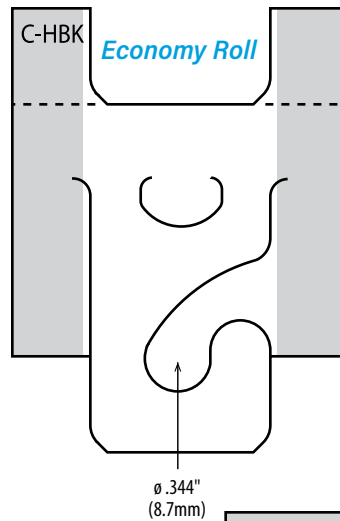
R-KHH

	Imperial	Metric
Gauge:	20 mil	508 μ
Dimensions (W x H):	2.25 x 2.5in	57.2 x 63.5mm
Format:	2M / roll	
Package:	6 x 15.5in roll	15.2 x 39.4cm
Master Carton Quantity:	6M (3 rolls)	
Master Carton Weight:	45lb	20.4kg
Recommended Product Display Weight:	16oz	454g



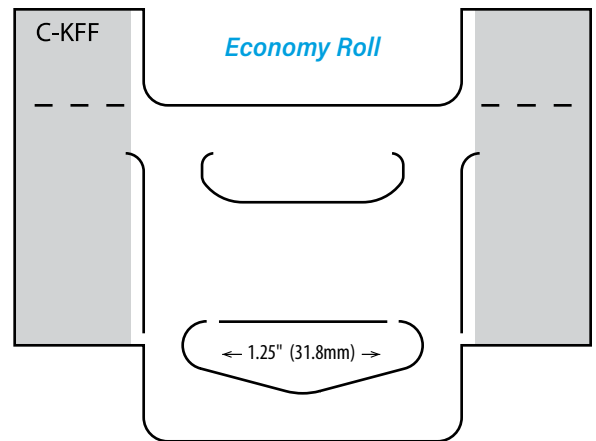
C-HBK

	Imperial	Metric
Gauge:	20 mil	508 μ
Dimensions (W x H):	1.75 x 2.313in	44.5 x 58.8mm
Format:	7.5M / economy roll	
Package:	6 x 15.5in roll	15.2 x 39.4cm
Master Carton Quantity:	7.5M (1 roll)	
Master Carton Weight:	30lb	13.6kg
Recommended Product Display Weight:	11oz	311g



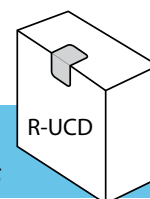
C-KFF

	Imperial	Metric
Gauge:	15 mil	381 μ
Dimensions (W x H):	3 x 2.25in	76.2 x 57.2mm
Format:	10M / economy roll	
Package:	6 x 15.5in roll	15.2 x 39.4cm
Master Carton Quantity:	10M	
Master Carton Weight:	50lb	22.8kg
Recommended Product Display Weight:	20oz	567g



R-UCD

	Imperial	Metric
Gauge:	10 mil*	254 μ *
Dimensions (W x H):	0.688 x 1.625in	17.5 x 41.3mm
Format:	9.5M / roll	
Package:	6 x 15.5in roll	15.2 x 39.4cm
Master Carton Quantity:	38M (4 rolls)	
Master Carton Weight:	43lb	19.5kg
	*Available in different thicknesses	



More Durable
Than Wafer Seals

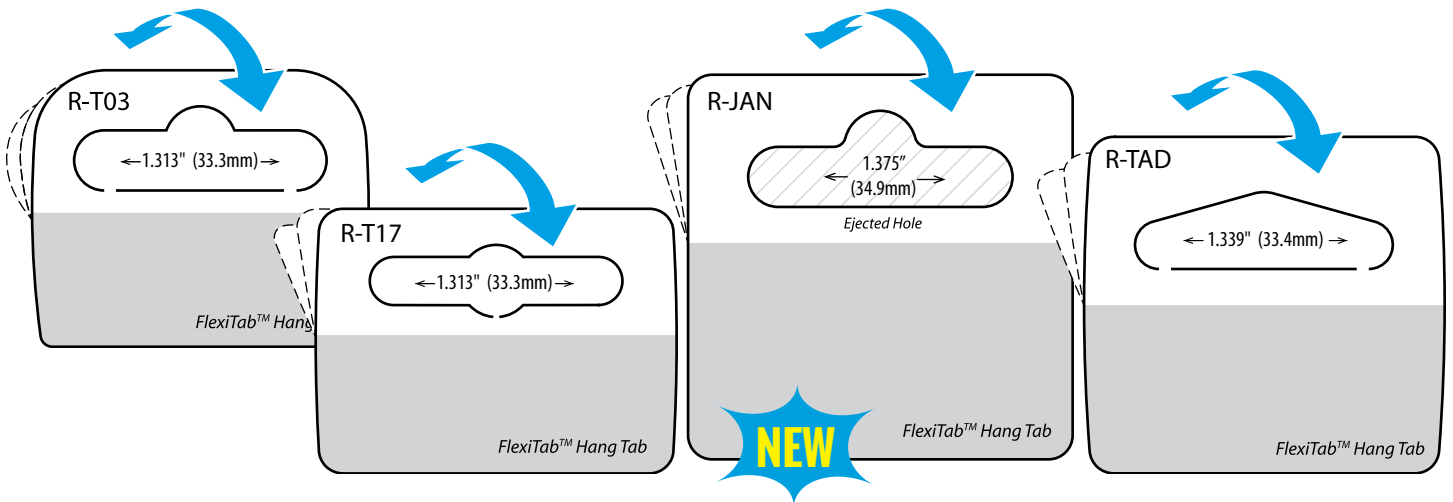
Additional
Styles pg. 43

M = 1,000

FlexiTab™

THICKER, STRONGER HANG HOLE
THINNER ADHESIVE AREA
ADHERES TO CURVED, UNEVEN,
OR UNIQUELY SHAPED PACKAGES

FlexiTab™ Hang Tabs



R-T03

	Imperial	Metric
Gauge:	10 mil	254 μ
Dimensions (W x H):	1.75 x 1.438in	44.5 x 36.5mm
Format:	3M / roll	
Package:	3 x 12in roll	7.6 x 30.5cm
Master Carton Quantity:	12M (4 rolls)	
Master Carton Weight:	17lb	7.7kg
Recommended Product Display Weight:	9oz	255g

R-T17

	Imperial	Metric
Gauge:	10 mil	254 μ
Dimensions (W x H):	1.875 x 1.375in	47.6 x 34.9mm
Format:	4M / roll	
Package:	6 x 15.5in roll	15.2 x 39.4cm
Master Carton Quantity:	20M (5 rolls)	
Master Carton Weight:	28lb	12.7kg
Recommended Product Display Weight:	8oz	227g

R-JAN

	Imperial	Metric
Gauge:	15 mil	381 μ
Dimensions (W x H):	2 x 2in	50.8 x 50.8mm
Format:	3M / roll	
Package:	6 x 15.5in roll	15.2 x 39.4cm
Master Carton Quantity:	12M (4 rolls)	
Master Carton Weight:	30lb	13.6kg
Recommended Product Display Weight:	12oz	340g

R-TAD

	Imperial	Metric
Gauge:	10 mil	254 μ
Dimensions (W x H):	1.875 x 1.75in	47.6 x 44.5mm
Format:	3M / roll	
Package:	3 x 12in roll	7.6 x 30.5cm
Master Carton Quantity:	12M (4 rolls)	
Master Carton Weight:	20lb	9.1kg
Recommended Product Display Weight:	10oz	283g

M = 1,000

M = 1,000



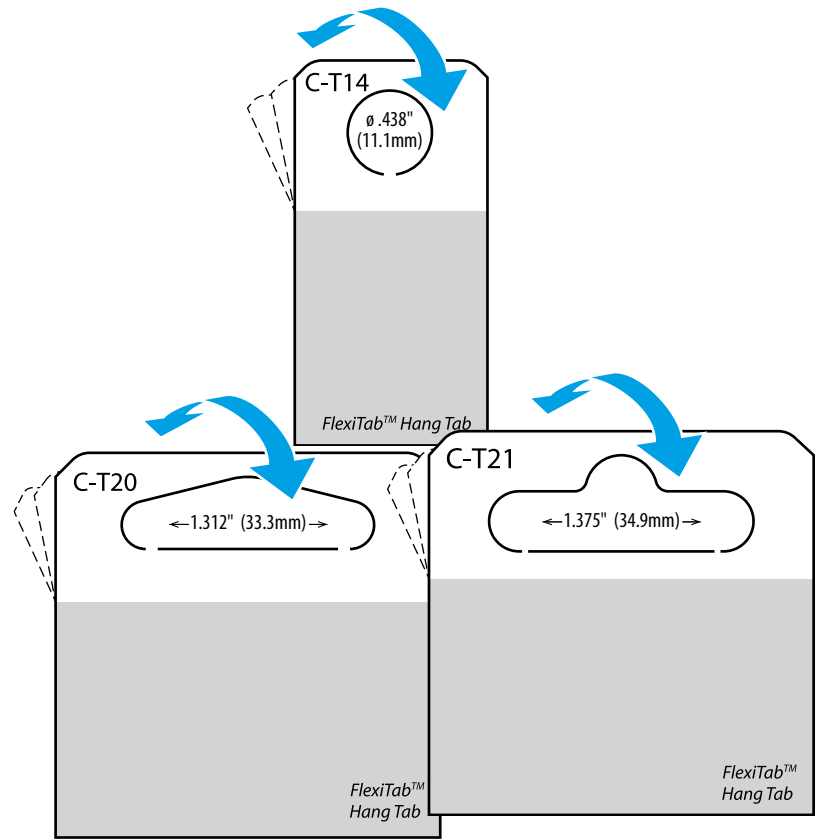
C-T14

	Imperial	Metric
Gauge:	7.5 mil	190 μ
Dimensions (W x H):	1 x 2in	25.4 x 50.8mm
Format:	20 / sheet	
Package:	500/pack 5M/box	
Master Carton Quantity:	20M (4 boxes)	
Master Carton Weight:	18lb	8.2kg
Recommended Product Display Weight:	8oz	226g

C-T20 / C-T21

	Imperial	Metric
Gauge:	15 mil	381 μ
Dimensions (W x H):	2 x 2in	50.8 x 50.8mm
Format:	10 / sheet	
Package:	500 pack	
Master Carton Quantity:	5M (10 packs)	
Master Carton Weight:	11lb	5kg
Recommended Product Display Weight:	10oz	283g

M = 1,000



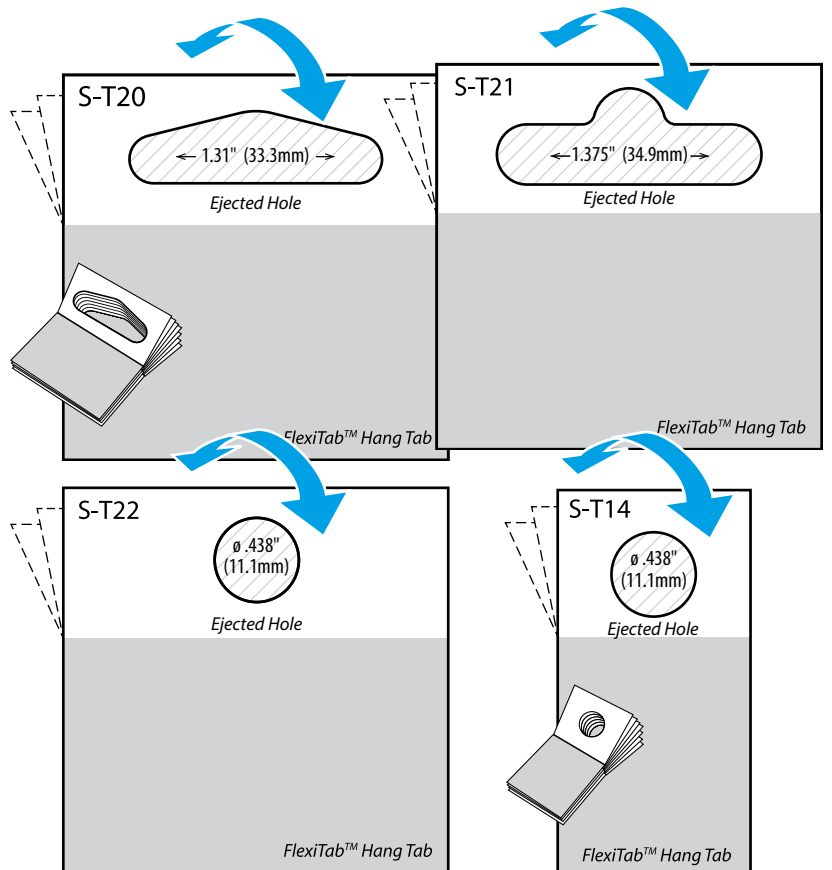
S-T20/S-T21/S-T22

	Imperial	Metric
Gauge:	15 mil	381 μ
Dimensions (W x H):	2 x 2in	50.8 x 50.8mm
Format:	10 / pad	
Package:	50 pads/box	
Master Carton Quantity:	5M (10 boxes)	
Master Carton Weight:	9lb	4.1kg
Recommended Product Display Weight:	S-T20 / S-T21: 10oz	283g
	S-T22: 14oz	397g

S-T14

	Imperial	Metric
Gauge:	15 mil	381 μ
Dimensions (W x H):	1 x 2in	25.4 x 50.8mm
Format:	10 / pad	
Package:	100 pads/box	
Master Carton Quantity:	10M (10 boxes)	
Master Carton Weight:	9lb	4.1kg
Recommended Product Display Weight:	9oz	255g

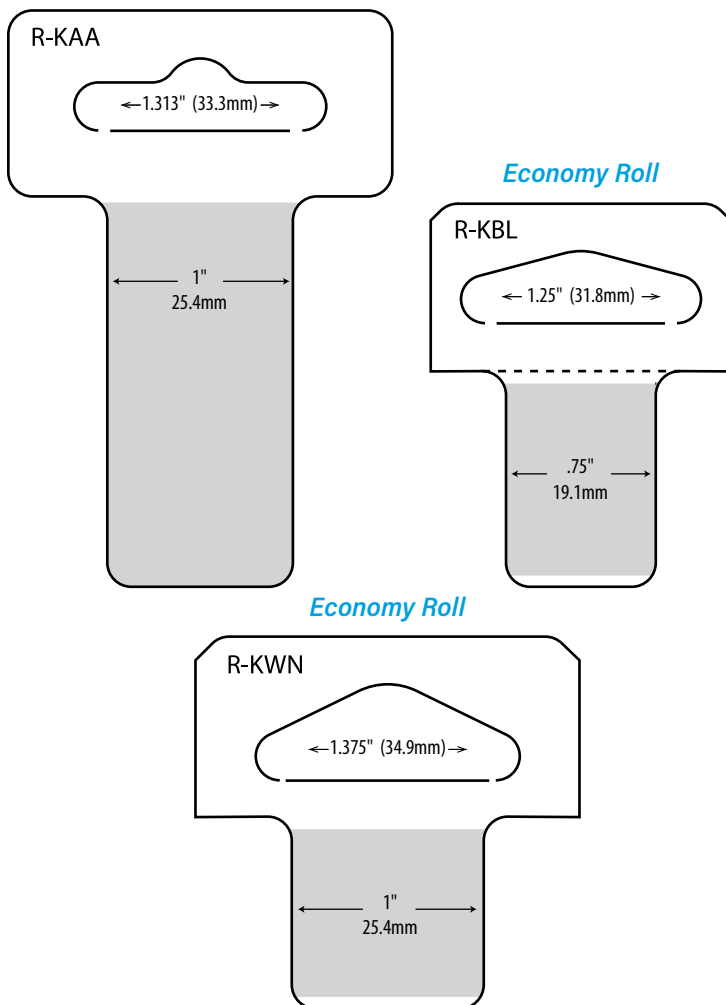
M = 1,000



Narrow Slot Hang Tabs

LESS PACKAGING
MORE SALES

Narrow Slot Hang Tabs



R-KAA

	Imperial	Metric
Gauge:	15 mil	381 μ
Dimensions (W x H):	2 x 3in	50.8 x 76.2mm
Format:	2.5M / roll	
Package:	6 x 15.5in roll	15.2 x 39.4cm
Master Carton Quantity:	5M (2 rolls)	
Master Carton Weight:	23lb	10.5kg
Recommended Product Display Weight:	18oz	509g

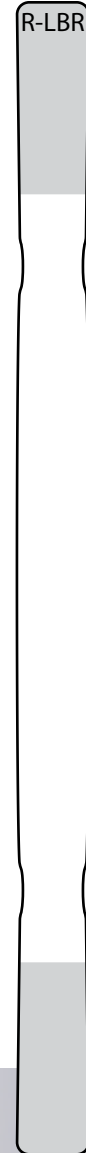
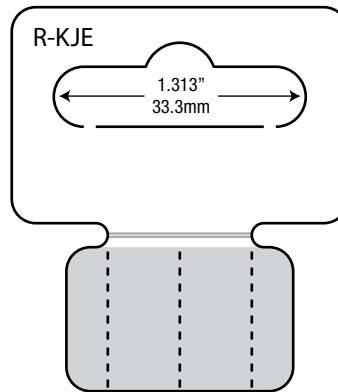
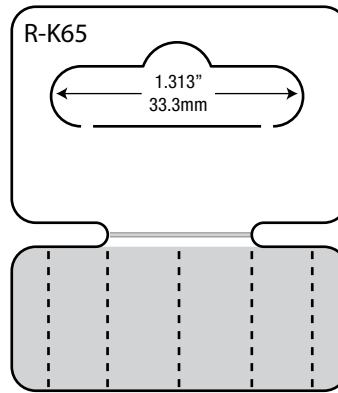
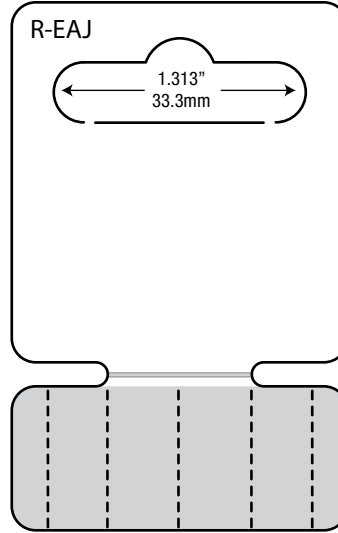
R-KBL

	Imperial	Metric
Gauge:	15 mil	381 μ
Dimensions (W x H):	1.563 x 2in	39.7 x 50.8mm
Format:	8M /economy roll	
Package:	6 x 15.5in roll	15.2 x 39.4cm
Master Carton Quantity:	16M (2 rolls)	
Master Carton Weight:	37lb	16.8kg
Recommended Product Display Weight:	10oz	283g

R-KWN

	Imperial	Metric
Gauge:	15 mil	381 μ
Dimensions (W x H):	2 x 1.939in	50.8 x 49.3mm
Format:	5M / economy roll	
Package:	6 x 15.5in roll	15.2 x 39.4cm
Master Carton Quantity:	10M (2 rolls)	
Master Carton Weight:	30lb	13.6kg
Recommended Product Display Weight:	16oz	452g

M = 1,000



R-EAJ

	Imperial	Metric
Gauge:	10 mil	254 μ
Dimensions (W x H):	1.75 x 2.75in	44.5 x 69.9mm
Format:	4M / roll	
Package:	6 x 15.5in roll	15.2 x 39.4cm
Master Carton Quantity:	8M (2 rolls)	
Master Carton Weight:	28lb	12.8kg
Recommended Product Display Weight:	12oz	340g

R-K65

	Imperial	Metric
Gauge:	10 mil	254 μ
Dimensions (W x H):	1.75 x 2in	44.5 x 50.8mm
Format:	4M / roll	
Package:	6 x 15.5in roll	15.2 x 39.4cm
Master Carton Quantity:	16M (4 rolls)	
Master Carton Weight:	42lb	19.1kg
Recommended Product Display Weight:	12oz	339g

R-KJE

	Imperial	Metric
Gauge:	10 mil	254 μ
Dimensions (W x H):	1.75 x 2in	44.5 x 50.8mm
Format:	4M / roll	
Package:	6 x 15.5in roll	15.2 x 39.4cm
Master Carton Quantity:	16M (4 rolls)	
Master Carton Weight:	38lb	17.3kg
Recommended Product Display Weight:	8oz	226g

M = 1,000

R-LBR

	Imperial	Metric
Gauge:	5 mil	127 μ
Dimensions (W x H):	0.375 x 6in	9.5 x 152.4mm
Format:	14.5M / roll	
Package:	3 x 12in roll	7.6 x 30.5cm
Master Carton Quantity:	29M (2 rolls)	
Master Carton Weight:	23.5lb	10.7kg
Recommended Product Display Weight:	14oz	397g

M = 1,000