

XTR Paperboard Hang Tabs



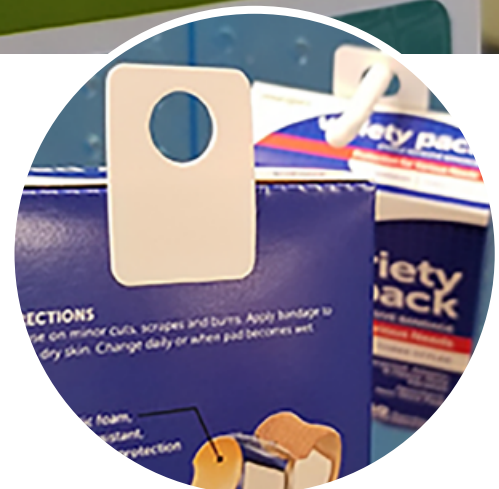
NOW AVAILABLE FROM DO-IT CORPORATION



Do-It Corporation is now offering hang tabs made in XTR Paperboard that is a sustainable, renewable, and biodegradable material. The "XTR" stands for Extra Tear Resistant, as this paperboard is approximately 30% stronger and more durable than standard SBS paperboard. The strength of the XTR Paperboard comes from a multilayer construction using two types of wood fibers. XTR Paperboard with a folding crease, can be folded several thousand times without breaking.

Do-It's XTR Paperboard hang tabs would be supplied with HangTite® 203T adhesive, which has a tissue carrier instead of a plastic carrier – making all of the hang tab plastic free.

The white XTR Paperboard material has a thickness of 16.5 mils (420 microns) and is similar in strength to 10 mil (254 microns) thick plastic.



XTR – Designed to provide material compatibility with paperboard packages

XTR – XTR Paperboard is 30% stronger and more durable than standard SBS paperboard

XTR – Do-It's 203T adhesive uses a tissue carrier making the entire hang tab plastic free

XTR – Similar in performance to comparable standard hang tabs

XTR – Ejected hole means 25% less material per hang tab

XTR – Less material than a 5th panel on a box

XTR – Roll format for easy hand or automatic application

XTR – White or digitally printed to match your packaging graphics and promote your brand

XTR – Easily added to light-weight paperboard packages, allowing them to be merchandised on peg hooks in stores

XTR – Other shapes available

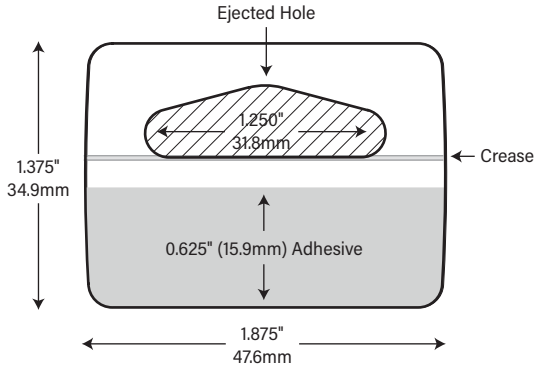


XTR

PAPERBOARD

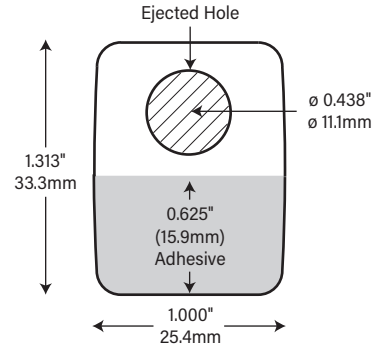
HANG TABS

R-J15 XTR



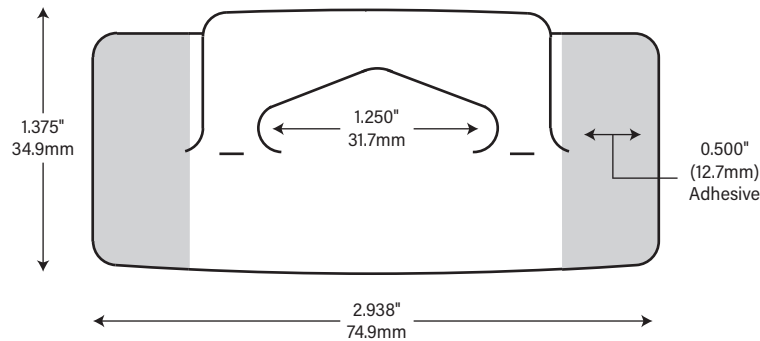
Maximum Recommended
Display Weight
10 oz / 283 g

R-J05 XTR

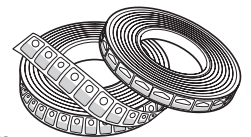


Maximum Recommended
Display Weight
12 oz / 339 g

R-48 XTR



Maximum Recommended
Display Weight
10 oz / 283 g



These hang tabs are available on rolls for automatic or hand application. Please contact us if you require a different style of hangtab in XTR Paperboard.



DO-IT CORPORATION

PO Box 592 | 1201 Blue Star Memorial Highway | South Haven, Michigan 49090-0592 | USA
(800) 426-4822 | (269) 637-1121 | www.do-it.com